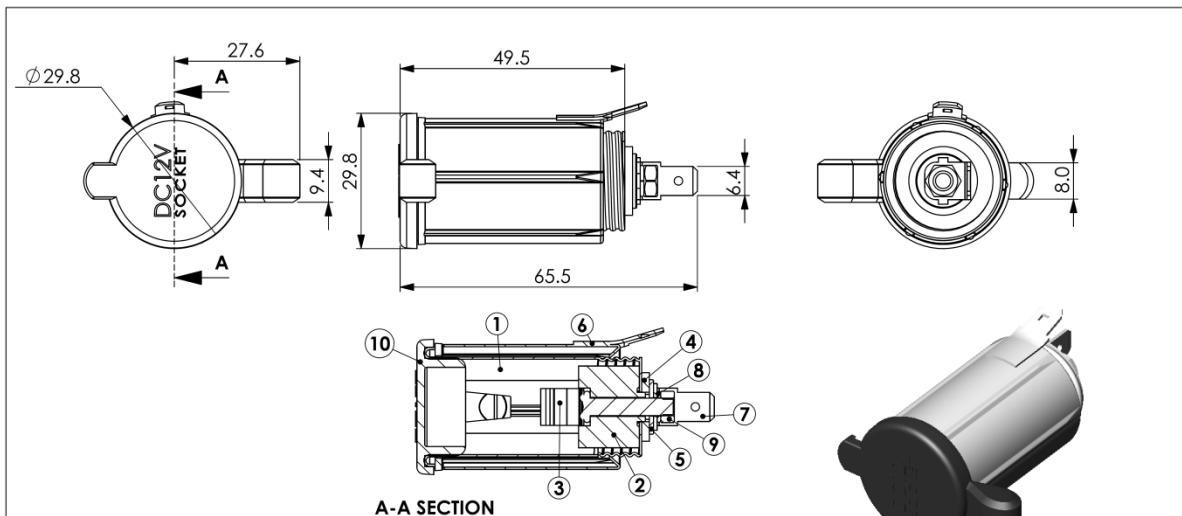


# YE-2113C2 – CAP AUTO CIG SOCKET W/CAP



A-A SECTION

10	Cap	PVC		1
9	Hexascrew Nut	Steel	Znic Ptd.	1
8	Screw Washer	Steel	Nickel Ptd.	1
7	Positive Terminal	Steel	Nickel Ptd.	1
6	Shield Cover	Steel	Nickel Ptd.	1
5	Washer	Steel	Nickel Ptd.	1
4	Bakelite Insulation	Bakelite		1
3	Positive Spring	FeNi Alloy		1
2	Insulation	Ceramic		1
1	YE-2113 Shell Body	Steel	Nickel Ptd.	1

No.	Description	Material	Treat	Q'ty
<b>俞昌有限公司</b> <b>YEU TSANG CO. LTD.</b>				
品名: ITEM:	AUTO CIG SOCKET W/CAP			
料號: PART NO	YE-2113C2	圖號: DRW NO.		
				一般公差 .X +/-0.25 .XX +/-0.10
				SHEET: 1 1
單位: unit:	mm	日期: date:	'07/01/23	繪圖: drwn by:
比例: scale:	1 : 1	版本: version:	V. 1.0	核准: aprvd by:
				DanielShyr SkyShyr

COPYRIGHT BY YEU TSANG

• **MATERIALS :**  
AS SHOWED ON THE  
DRAWING